

For Any Single Hinged Door

Key Features

Low Profile Bottom Rail:
Unrestricted Entry, Bottom Rail is only 5/16" (8mm) in height.

Retracting Mesh Guide: Maximum insect protection, mesh fits inside Mesh Guide, and Mesh Guide disappears into Sliding Bar, minimizes tripping hazard.

Mesh Lock Adjuster: After installation is complete, adjust to keep mesh tight.

Spring Tension Adjuster: If required, tension can easily be increased or decreased.

One Touch Latch: Simple to open with one finger, and keeps sliding bar securely closed.

Housing: Fully enclosed to protect mesh.

Handing: Fits inswing and outswing doors.

Self Retracting: Spring assisted.

Replacement Mesh Cartridge (RMC): Available if mesh becomes damaged.

Specifications

Material: Frames are solid extruded aluminum, Mesh is fiberglass.

Color: White, Gentek colour matching.

Installs: Recessed mount.

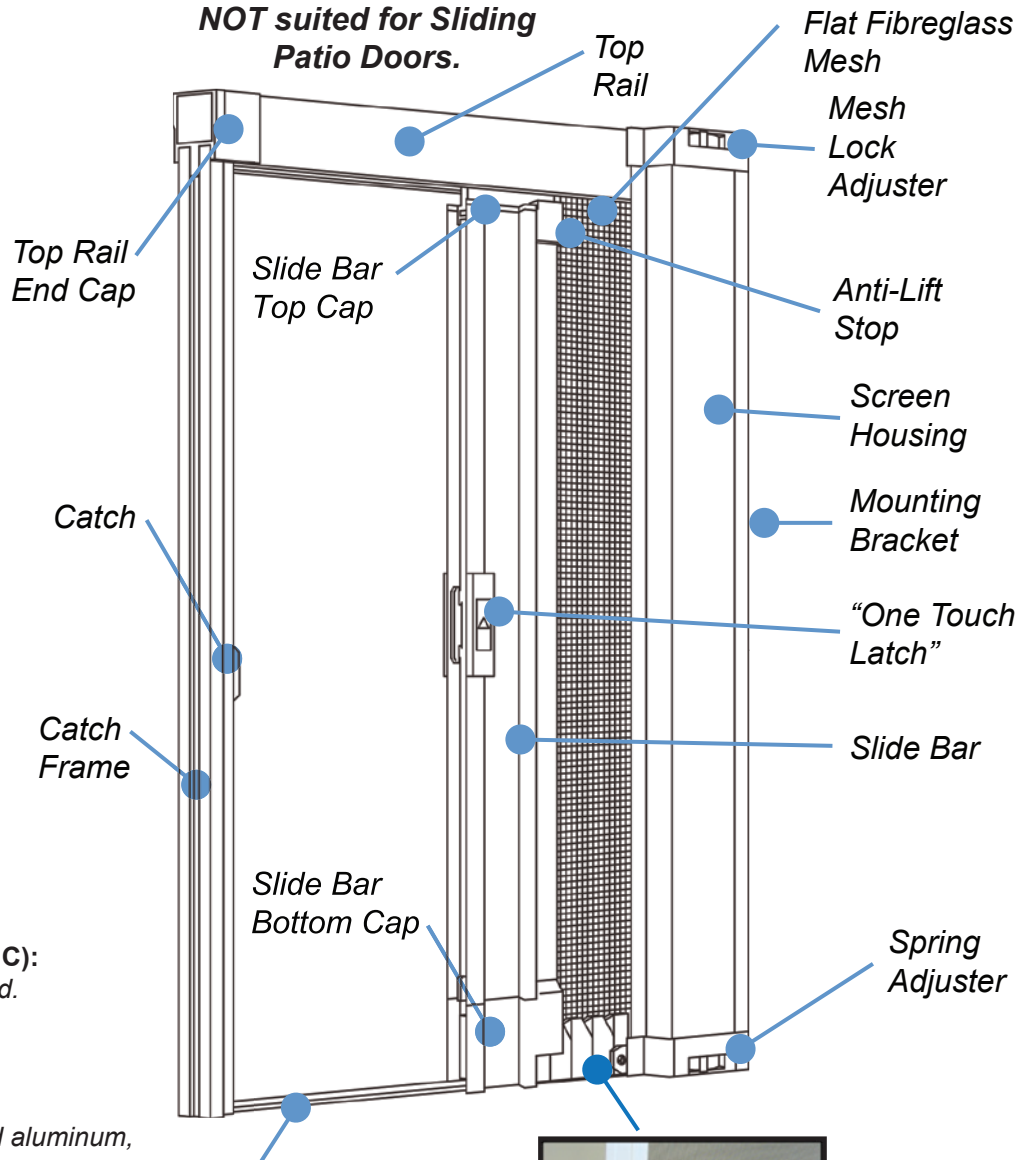
Standard Unit

Size: Min / Max;

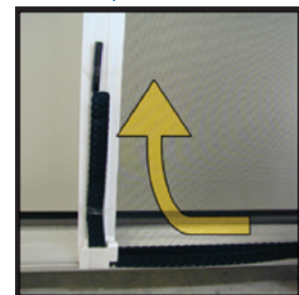
W= 24" ~ 43 5/16" (610 ~ 1100mm)

H= 72" ~ 98 7/16" (1,829 ~ 2500mm)

Note; The Rollaway-VP is NOT suited for Sliding Patio Doors.



"Low Profile" Bottom Rail



Retracting Mesh Guide

