

Ideal For Double Hinged Doors and Larger Openings

Key Features

Single and Double Screens: A single Foldaway-MX can fit standard double French Doors, combine two Foldaway-MX, it can accommodate larger openings up to W=13ft-6in (4m).

Low Profile Bottom Rail: Barrier free, unrestricted entry, only 3/16" (4mm) tall.

Integration: Easily installs to new or existing construction, no modification to floor or framework, adapts to any surface.

Retracting Mesh Guide: Maximum insect protection, maintains the position of the mesh, then disappears when retracted.

Magnet Catch: Simple to open and secure when closed.

Mesh: Compact Pleated Mesh, Unique Market Differentiator.

Manual Operating: Tension Wire assisted, quiet, no slamming, safe to operate.

Wire Tension System: Keeps mesh taught.

Replacement Mesh Cartridge (RMC): Available if mesh becomes damaged.

Specifications

Material: Frames; Extruded Aluminum, Powder Coat or Anodize

Injection Parts: PVC, ABS, Nylon.

Others: Stainless Steel

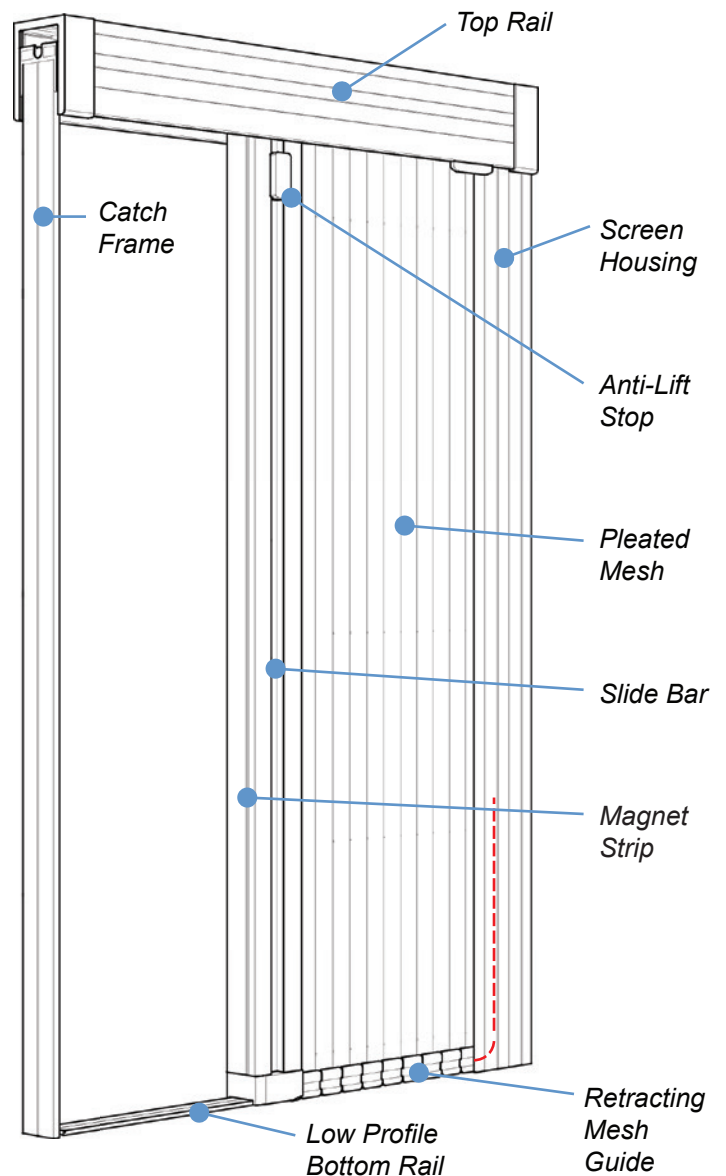
Mesh: Pleated Polyester, 18x16

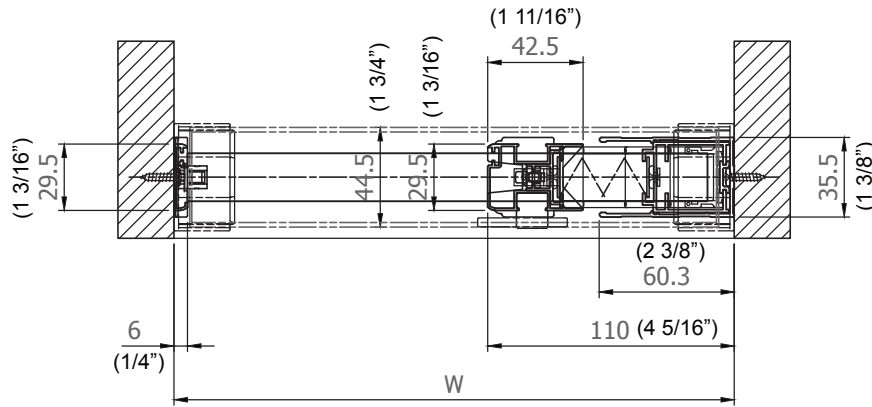
Color: Standard; White, Gentek matching, Anodized Colors available as special order.

Accessories: Replacement Main Screen Cartridge (RMSC), Double Door Kit (DDK).

Size: Standard Sizes are available, accommodating openings; W=32" (813mm) ~ 78 3/4" (2 meters), width x2 with double units.
H=60" (1524mm) ~ 110 1/4" (2.8 meters)

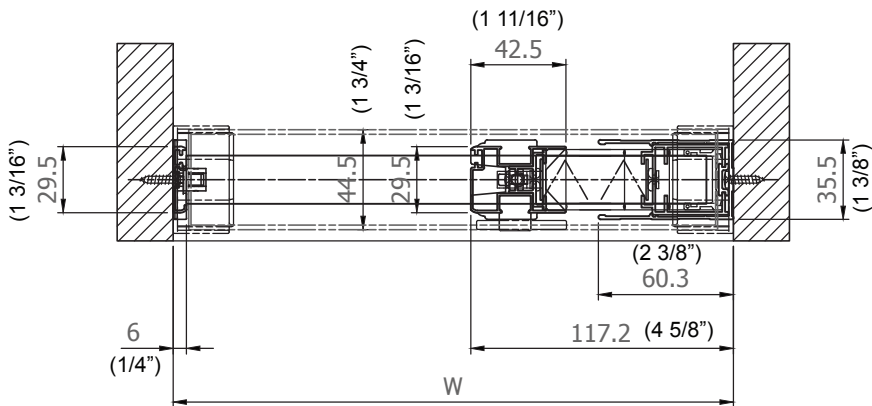
Note; Some size restrictions apply on larger units, contact a local dealer for more information.





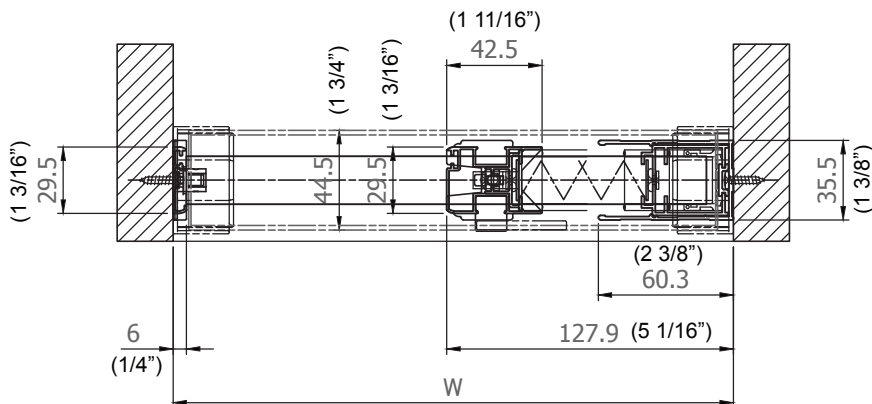
W=1350mm (53 1/8")

With 3pcs Mesh Clips



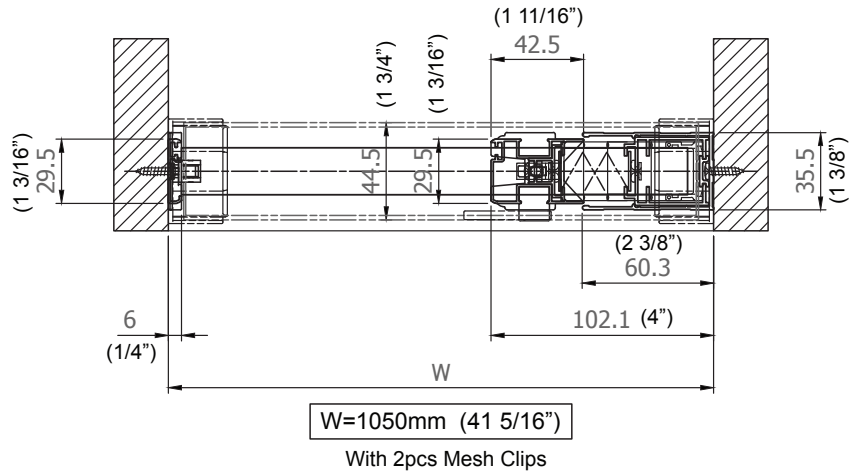
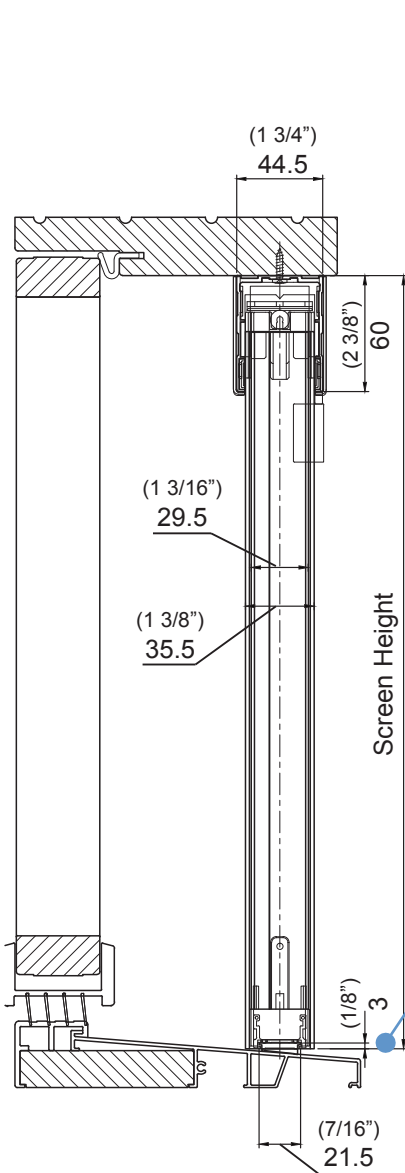
W=1600mm (63")

With 4pcs Mesh Clips



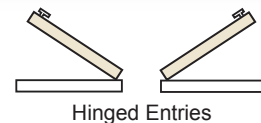
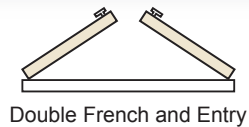
W=2000mm (78 3/4")

With 5pcs Mesh Clips



Low Profile Bottom Rail accommodates flat and angled surfaces with a PVC angled spacer.

Accommodates These Configurations



Folding Walls
Stacking and
Bi-parting Systems

